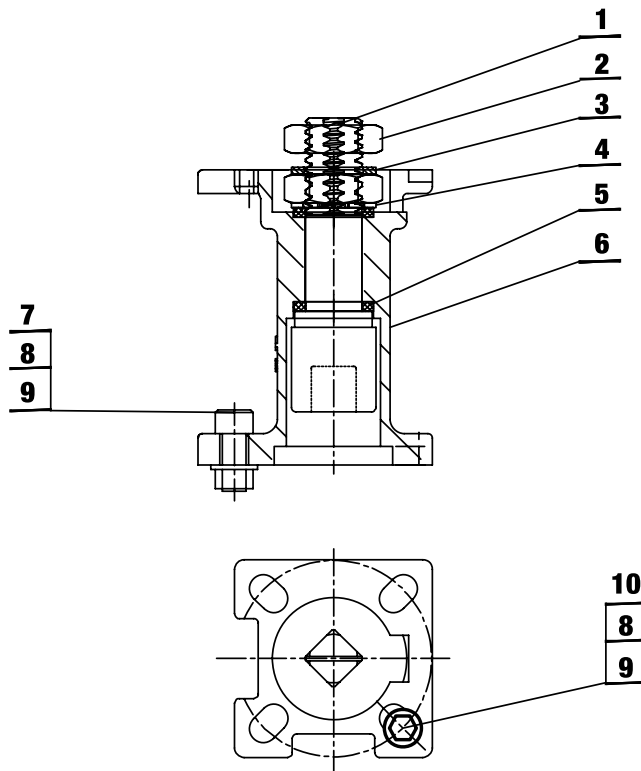


Stainless steel "CF8M"
For serie 83 og 88, 3-pcs ball valve

- General description**
 High quality industrial stem extension with PTFE gland packing • Direct mount of actuators • CSX units can be delivered with handles.
- Connection**
 Fits directly onto the ISO-top of the valve. Additionally the CSX-units are mountable on other series of Mars ball valves with similar ISO-tops.
- Usable for**
 In case where a closed stem extension is necessary i.e. if in need of applying insulation onto the piping or due to temperature.

- Parts description**



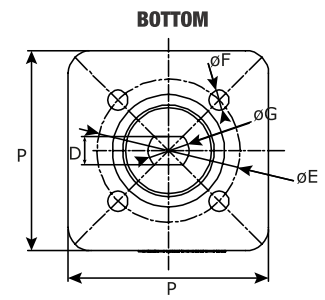
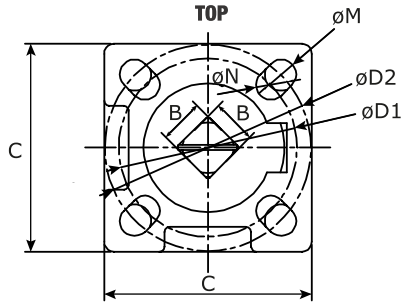
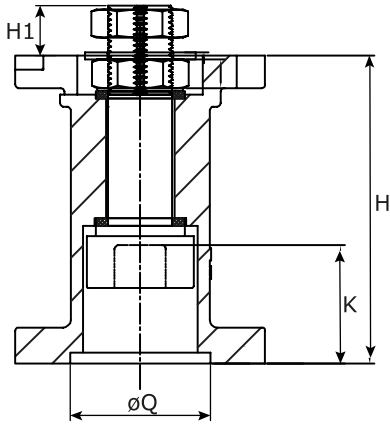
- Dimensions**

Serie 83: DN08-DN50FB (DN65RB)
Serie 88: DN08-DN100FB

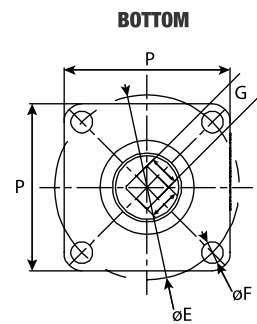
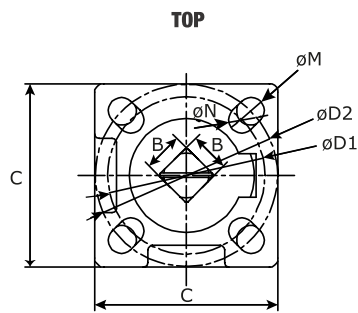
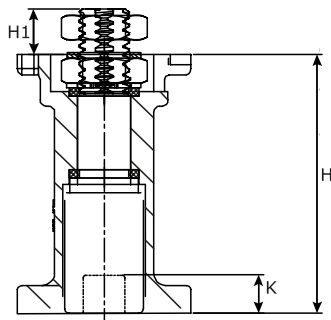


- Materials**

Pos	Description	Material
1	Stem	Stainless steel CF8M
2	Stem nut	Stainless steel AISI304
3	Washer	Stainless steel AISI304
4	Washer	Stainless steel AISI304
5	Gland packing	PTFE
6	Body	Stainless steel CF8M
7	Bolt	PTFE
8	Washer	Stainless steel AISI304
9	Nut	Stainless steel AISI304
10	Stop bolt	Stainless steel AISI304



Serie 83	CSX Model	B	C	D	ØD1	ØD2	ØE	ØF	ØG	H	H1	K	ØM	ØN	P	Q	ISO5211 top	ISO5211 bottom
DN08-10F	DN15RB CSX-A	9	42	6.5	36	42	36	6.5	9.5	62.7	9.0	8.5	6	6	42	25.2	F03/F04	F03
DN15F	DN20RB CSX-B	9	42	6.5	36	42	36	6.5	9.5	62.7	9.0	19.5	6	6	42	25.2	F03/F04	F03
DN20F	DN25RB CSX-B	9	42	6.5	36	42	36	6.5	9.5	62.7	9.0	19.5	6	6	42	25.2	F03/F04	F03
DN25F	DN32RB CSX-C	11	50	8.0	42	50	42	6.5	11.2	97.0	10.9	25.8	7	6	50	30.2	F04/F05	F04
DN32F	DN38RB CSX-C	11	50	8.0	42	50	42	6.5	11.2	67.0	10.9	25.8	7	6	50	30.2	F04-F05	F04
DN40F	DN50RB CSX-D	14	70	9.7	50	70	50	7.5	14.3	86.0	13.9	32.3	9	7	70	39.2	F05/F07	F05
DN50F	DN65RB CSX-D	14	70	9.7	50	70	50	7.5	14.3	86.0	13.9	26.8	9	7	70	39.2	F05/F07	F05



Serie 88	CSX Model	B	C	ØD1	ØD2	ØE	ØF	G	H	H1	K	ØM	ØN	P	ISO5211 top	ISO5211 bottom
*DN08-10F	DN15RB CSX-E	9	42	36	42	42	6	9	62.7	9.0	9.2	6	6.0	42	F03/F04	F03
*DN15F	DN20RB CSX-E	9	42	36	42	42	6	9	62.7	9.0	9.2	6	6.0	42	F03/F04	F03
*DN20F	DN25RB CSX-E	9	42	36	42	42	6	9	62.7	9.0	9.2	6	6.0	42	F03/F04	F03
*DN25F	DN32RB CSX-F	11	50	42	50	50	7	11	67.0	10.9	12.2	7	6.0	50	F04/F05	F04
*DN32F	DN40RB CSX-F	11	50	42	50	50	7	11	67.0	10.9	12.2	7	6.0	50	F04-F05	F04
*DN40F	DN50RB CSX-G	14	70	50	70	70	9	14	86.0	13.9	16.2	9	7.5	70	F05/F07	F05
*DN50F	DN65RB CSX-G	14	70	50	70	70	9	14	86.0	13.9	16.2	9	7.5	70	F05/F07	F05
DN65F	DN80RB CSX-H	17	92	70	102	102	12	17	105.0	16.8	19.2	12	10.0	92	F07/F10	F07
DN80F	DN100RB CSX-H	17	92	70	102	102	12	17	105.0	16.8	19.2	12	10.0	92	F07/F10	F07
DN100F	- CSX-H	17	92	70	102	102	12	17	105.0	16.8	19.2	12	10.0	92	F07/F10	F07

*Not a stock item - available on request (i.e. use a series 83 ball valve with CSX)