

Stainless steel "CF8M"
For serie 83 og 88, 3-pcs ball valve

FDA

TA-LUFT

PED

General description

Industrial stem extension with integrated packing system • Patented packing system that ensures long and trouble-free operation • Possibility of direct actuator assembly via ISO5211 connection • The TSM unit is TA-Luft approved

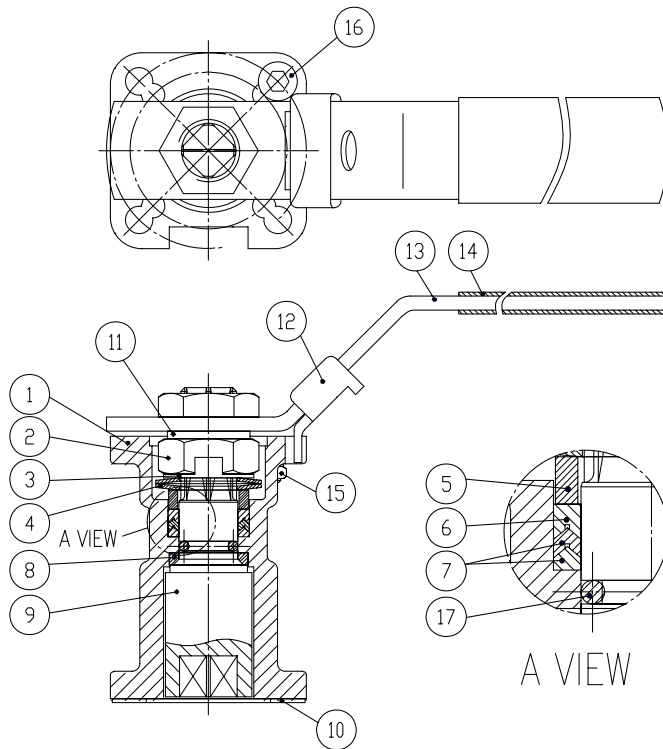
Connection

Fits directly onto the ISO-top of the valve. Additionally the TSM-units are mountable on other series of Mars ball valves with similar ISO-tops.

Usable for

Where you want a closed stem extension or extra secondary stem seal mounted on ball valve. Delivered with handles and bolts.

Parts description



Dimension

Serie 83: DN08-DN50FB (DN65RB)
Serie 88: DN08-DN100FB

Accessories

Position lever, lockable for ball valves with V-port ball
Feedback (Inductive or Mechanical)



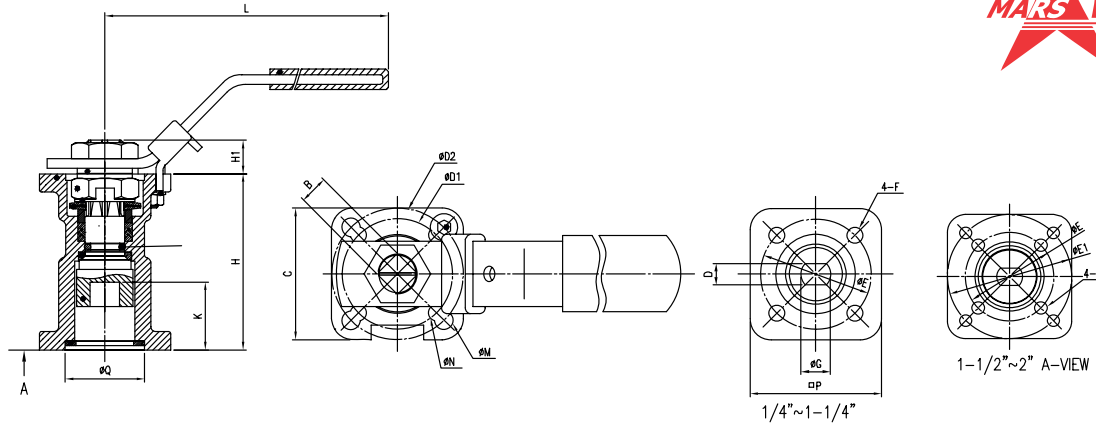
Materials

Pos	Description	Material
1	Body	Stainless steel CF8M
2	Stem nut	Stainless steel AISI304
3	Locking saddle	Stainless steel AISI304
4	Spring washer	Stainless steel AISI301
5	Bushing	Stainless steel AISI304
6	Stem seal	RTFE (25% Glass 75%PTFE)
7	V-shaped seal	PTFE
8	Stem packing	RTFE (25% Glas 75%PTFE)
9	Stem	Stainless steel AISI316
10	TSM gasket	PTFE
11	Washer	Stainless steel AISI304
12	Locking device	Stainless steel AISI304
13	Handle	Stainless steel AISI304
14	Sleeve	Vinyl
15	Nut	Stainless steel AISI304
16	Handle stop	Stainless steel AISI304
17	O-ring	FPM

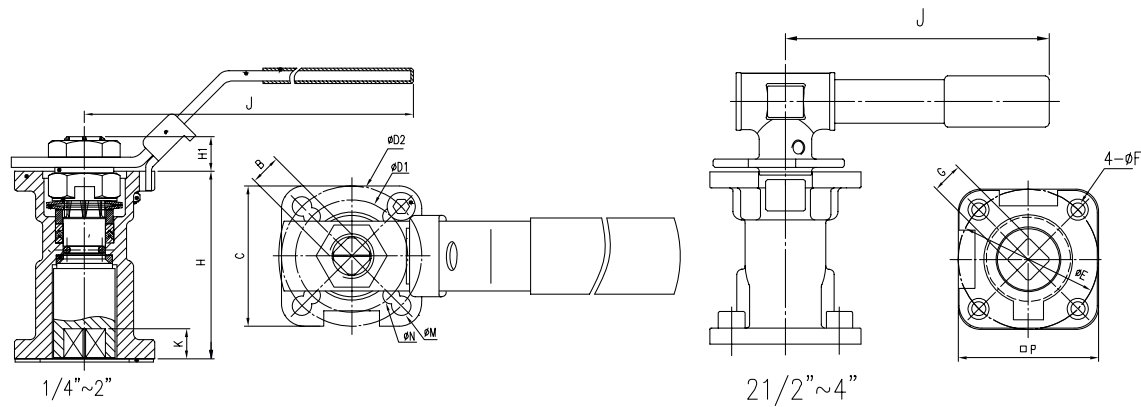
Spare parts

Complete sealing kit
TSM gasket

• Dimensions



Series 83		B	C	D	øD1	øD2	øE	øE1	F	G	H	H1	K	L	øM	øN	P	Q	ISO5211	[Nm]
DN08-10F	DN15RB	9	42	6.5	36	42	36	-	6.5	9.5	62.7	9.0	8.5	139	6	6	42	25.2	F03/F04	3,6
DN15F	DN20RB	9	42	6.5	36	42	36	-	6.5	9.5	62.7	9.0	19.5	139	6	6	42	25.2	F03/F04	3,6
DN20F	DN25RB	9	42	6.5	36	42	36	-	6.5	9.5	62.7	9.0	19.5	139	6	6	42	25.2	F03/F04	3,6
DN25F	DN32RB	11	50	8.0	42	50	42	-	6.5	11.2	67.0	10.9	25.8	165	7	6	50	30.2	F04/F05	6,0
DN32F	DN40RB	11	50	8.0	42	50	42	-	6.5	11.2	67.0	10.9	25.8	165	7	6	50	30.2	F04-F05	6,0
DN40F	DN50RB	14	70	9.7	50	70	50	70	7.5	14.3	86.0	13.9	32.3	215	9	7	70	39.2	F05/F07	9,6
DN50F	DN65RB	14	70	9.7	50	70	50	70	7.5	14.3	86.0	13.9	26.8	215	9	7	70	39.2	F05/F07	9,6



Series 88		B	C	øD1	øD2	øE	øF	G	H	H1	J	K	øM	øN	P	ISO5211	[Nm]
DN08-10F	DN15RB	9	42	36	42	42	6	9	60.7	9.0	139	9.2	6	6.0	42	F03/F04	3,6
DN15F	DN20RB	9	42	36	42	42	6	9	60.7	9.0	139	9.2	6	6.0	42	F03/F04	3,6
DN20F	DN25RB	9	42	36	42	42	6	9	60.7	9.0	139	9.2	6	6.0	42	F03/F04	3,6
DN25F	DN32RB	11	50	42	50	50	7	11	67.0	10.9	165	12.2	7	6.0	50	F04/F05	6,0
DN32F	DN38RB	11	50	42	50	50	7	11	67.0	10.9	165	12.2	7	6.0	50	F04-F05	6,0
DN40F	DN50RB	14	70	50	70	70	9	14	86.0	13.9	215	16.2	9	7.5	70	F05/F07	9,6
DN50F	DN65RB	14	70	50	70	70	9	14	86.0	13.9	215	16.2	9	7.5	70	F05/F07	9,6
DN65F	DN80RB	17	92	70	102	102	12	17	105.0	16.8	300	19.2	12	10.0	92	F07/F10	15,6
DN80F	DN100RB	17	92	70	102	102	12	17	105.0	16.8	370	19.2	12	10.0	92	F07/F10	15,6
DN100F	-	17	92	70	102	102	12	17	105.0	16.8	370	19.2	12	10.0	92	F07/F10	15,6

Ahrendt Industriearmaturen

Vorbruch 1, 29227 Celle - Telefon 05141 / 9789101 - Fax 05141 / 9789105

Web: www.ahrendt-armaturen.de - E-Mail: info@ahrendt-armaturen.de